

## Wood burning heater Harvia Linear WK200C black

WK200C

The Linear 22 stove is source of glowing heat and magnificent bath for medium-sized saunas. The simple, sculptural design adds timeless style to the sauna. Through the cast-iron glass door the warm glow of the fire adds to the sauna atmosphere. The opening direction of the door can be changed. This model also features adjustable legs to facilitate installation and, for example, help in adjusting the height of the smoke outlet. The fire chamber and combustion air channels of Harvia stoves are designed so that sauna warms quickly and the burning is cleaner. The stoves meet the requirements for CE-marking.



### Features

Main material : Steel

H x W x D : 770.0 x 450.0 x 510.0 mm

Net weight (kg) : 60.4

Stone amount (kg) : 40.0

ID	GTIN	Power	Sauna room size min - max m3
WK200C	6417659017756	26.1 kW	8.0-20.0

## Spare parts

Product	ID	Pcs
Furnace grate	ZKIP-10	1
Connection pipe	ZKIP-130	1
Ashpan RST Pro	ZKIP-720	1
Hinge pin	ZKIP-50	1
Frame with parts for WK200	ZROST-300	1
Handle for stove + screws	ZKIP-670	1
Glass for stove door 184*210 mm	ZTS-36	1

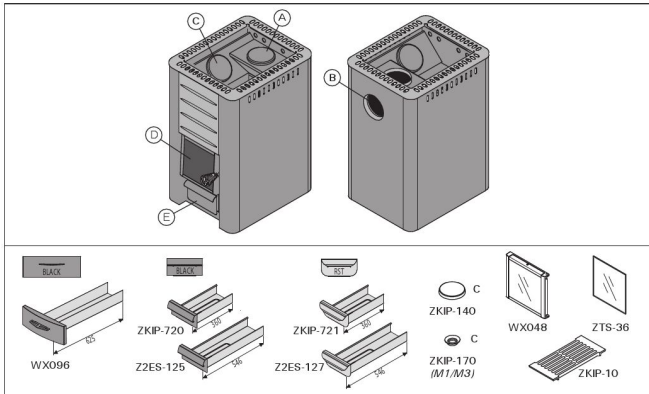
## Technical details

Technical data	Type / attribute	WK200C
Technical data	Color	Black
	Power output	26.1 kW
	Stone amount (kg)	40
Dimensions	Product width (mm)	450
	Product height (mm)	770
	Product depth (mm)	510
	Net weight (kg)	60.4
	Gross weight	63.1
	Package width	515
	Package height	785
Connections	Package depth	460
	Flue connection locations	Back, Top
	Chimney connection diameter	115
Safety and installation dimensions	Safety distance front (non-combustible materials)	500
	Safety distance front (combustible materials)	500
	Safety distance right side (combustible materials)	400
	Safety distance right side non-combustible materials	100
	Safety distance left side (combustible materials)	400
	Safety distance left side non-combustible materials	100
	Safety distance behind (non-combustible materials)	380
	Safety distance behind (combustible materials)	380
	Safety distance (Ceiling)	1265
	Room min. height(depends on connections and therefore from output, star/delta)	2035
	Installation opening height	2035
Installation opening width	900	
Installation opening depth	860	

## Technical images

### 1.1. Stove Parts

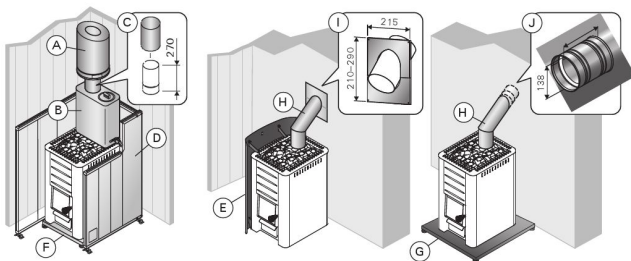
- A. Upper connection opening
- B. Rear connection opening
- C. Soot opening
- D. Stove door
- E. Ash box



Stove parts. Note! Only use replacement parts recommended by the manufacturer. Unauthorised modification of the stove is prohibited.

### 3.4. Accessories

- A. Harvia steel chimney WHP1500.
- B. Water heater VL221. Installed on the top of the upper connection opening. When a protective sheath or other protection is used that is not large enough to protect the inflammable materials around the stove from the heat radiation of the pipe between the water heater and smoke flue, you must install a radiation cover around the pipe.
- C. Radiation cover WZ020130. Installed around the smoke pipe.
- D. Harvia protective sheath WX017.
- E. Harvia protective sheath WL400-WL775.
- F. Harvia protective bedding WX018, WL100. (not for models 20 RS/LS Pro, 36, 36 Duo, Premium VS, Linear 22 RS/LS, 22 RS/LS S).
- G. Harvia protective bedding WL110 (not for models 20 ES Pro/S, Linear 22 ES, 22 ES S).
- H. Angle smoke pipe. Different models.
- I. Lead-through flange for smoke pipe WZ020115. Covers the edges of the flue opening and the sealing in the wall. Made of stainless steel. Consists of two parts to make it useable with differently inclined smoke pipes.
- J. Masonry connector WZ011115. Connected to the flue opening, does not require other seals. The inner side already has a seal.



Accessories (all dimensions in millimeters)

	A min.	B min.	C min.	D min.
M1, M2, M3-SL, Classic 140	1200	250	300	300
20 Pro, 20 SL Duo, 20 ES Pro, 20 SL Duo, 20 SL Boiler, Premium VS, Classic 220 Duo, 20 RS/LS Pro	1300	300	300	300
26 Pro, Classic 280	1280	375	375	375
36, 36 Duo	1250	500	500	500
Linear 16, 16	1300	300	350	400
Linear 22, 22 S, Linear 22 RS/LS ES, 22 RS/LS ES S	1265	400	380	500
Linear 28	1380	400	400	500

Safety distances (all dimensions in millimeters)

WX017	B min.
M1, M2, M3-SL, 20 Pro, 20 SL Duo, 20 ES Pro/S, 20 Boiler, 20 SL Boiler, Premium VS, Classic 140-SL, Classic 220 Duo	300
26 Pro, Classic 280	375
Linear 16, 16	300
Linear 22/28, Linear 22 ES, 22 ES S, 22 S	400

WL400/WL450	M1, M2, M3-SL	B min.	C min.	D min.	F
20 Pro SL Duo	50	50	300	30	
WL500/WL550	20 Pro SL Duo	62	62	422	30
WL600/WL650	20 SL Boiler				
WL700/WL750	20 SL Boiler				
WL800/WL850	26 Pro	73	73	526	30
WL900/WL950	36, 36 Duo	90	90	700	30
WL500/WL590	20 RS/LS Pro	62	62	422	30
WL425/WL475	Linear 16, 16	30	30	400	32
WL525/WL575	Linear 22, 22 S				
WL525/WL585	Linear 22 RS/LS, 22 RS/LS S	70	70	500	40
WL530/WL580	Linear 22 ES, 22 ES S				
WL725/WL775	Linear 28				

Safety distances with protective sheaths (all dimensions in millimeters)

# HARVIA

M1, M2, M3, M3 SL, 20 Pro, 26 Pro, 36, 20 SL, 20 Duo, 36 Duo, 20 ES Pro/S, 20 RS/LS Pro, 20 Boiler, 20 SL Boiler, Classic 140, Classic 220, Classic 280, Classic 220 Duo, Premium, Premium VS, Linear 16, 16, Linear 22, 22, Linear 22 ES, Linear 22 RS/LS, Linear 28

**EN** Instructions for Installation and Use of Woodburning Stove

**FR** Instructions d'installation et d'utilisation du poêle à bois



M1

M2

M3

20 Pro

20 ES Pro/S

20 RS/LS Pro

20 Boiler



Linear 16

16

Linear 22

22

Linear 22 RS/LS

Linear 22 ES



Linear 28

26 Pro

Classic 140

Classic 220

Classic 280

Classic 220 Duo

20 Duo, 36 Duo



M3 SL

20 SL

20 SL Boiler

Premium

Premium VS

36

Congratulations on your choice! The Harvia sauna stove works best and serves you longest when it is used and maintained according to these instructions.

Read the instructions carefully before installing or using the stove. Keep the instructions for future reference.

## CONTENTS

<b>1. GENERAL</b> .....	<b>5</b>
1.1. Stove Parts .....	5
<b>2. INSTRUCTIONS FOR USE</b> .....	<b>6</b>
2.1. Warnings .....	6
2.2. Preparing the Stove for Use .....	6
2.3. Burning Material .....	7
2.4. Sauna Stones .....	7
2.5. Heating the Stove .....	8
2.6. Sauna Water .....	9
2.7. Maintenance .....	9
2.8. Troubleshooting .....	10
<b>3. INSTRUCTIONS FOR INSTALLATION</b> .....	<b>11</b>
3.1. Before Installation .....	11
3.1.1. Ventilation of the Sauna Room .....	11
3.1.2. Protecting the Floor .....	12
3.1.3. Safety Distances .....	12
3.2. Installing the Stove .....	14
3.2.1. Adjustable Legs (excluding the models M1/M2/M3/M3 SL/Linear 16/16) .....	14
3.2.2. Connecting the Stove to a Masonry Flue .....	14
3.2.3. Connecting the Stove to a Harvia Steel Chimney .....	16
3.3. Changing the Opening Direction of the Stove Door .....	17
3.4. Accessories .....	18

Félicitations pour cet excellent choix ! Le poêle pour sauna Harvia fonctionne de façon optimale et durable dans le cadre d'une utilisation et d'un entretien conformes aux présentes instructions.

Lisez attentivement les présentes instructions avant d'installer ou d'utiliser le poêle. Conservez les instructions pour pouvoir vous y reporter ultérieurement.

## TABLE DES MATIÈRES

<b>1. GENERALITES</b> .....	<b>5</b>
1.1. Composants du poêle .....	5
<b>2. INSTRUCTIONS D'UTILISATION</b> .....	<b>6</b>
2.1. Avertissements .....	6
2.2. Préparation du poêle à l'utilisation .....	6
2.3. Matériau combustible .....	7
2.4. Pierres pour sauna .....	7
2.5. Chauffage du poêle .....	8
2.6. Eau du sauna .....	9
2.7. Entretien du poêle .....	9
2.8. Dépannage .....	10
<b>3. INSTRUCTIONS D'INSTALLATION</b> .....	<b>11</b>
3.1. Avant l'installation .....	11
3.1.1. Ventilation de la cabine de sauna .....	11
3.1.2. Protection du sol .....	12
3.1.3. Distances de sécurité .....	12
3.2. Installation du poêle .....	14
3.2.1. Pieds réglables du poêle (à l'exclusion des modèles M1/M2/M3/M3 SL/Linear 16/16) .....	14
3.2.2. Raccordement du poêle à une cheminée en maçonnerie .....	14
3.2.3. Raccordement du poêle à une cheminée en acier Harvia .....	16
3.3. Modification du sens d'ouverture de la porte du foyer .....	17
3.4. Accessoires .....	18




	<b>M1</b> WKM11 <b>M2</b> WKM2 <b>M3</b> WKM3 <b>M3 SL</b> WKM3SL	<b>20 Pro</b> WK200 <b>20 Duo</b> WK200SLUX <b>20 RS Pro</b> WK200RS <b>20 LS Pro</b> WK200LS	<b>20 ES Pro</b> WK200ES <b>20 ES Pro S</b> WK200ESST	<b>20 Boiler</b> WK200B <b>20 SL</b> WK200SL <b>20 SL Boiler</b> WK200BSL	<b>Classic 140</b> WKC140	<b>Classic 220</b> WKC220 <b>Classic 220 Duo</b> WKC220LUX	<b>Premium</b> WK200S <b>Premium VS</b> WK200SS
Sauna room volume (m <sup>3</sup> ) Volume de la cabine de sauna (m <sup>3</sup> )	6–13	8–20	8–20	8–20	6-13	8–20	8–20
Required temperature class of chimney Classe de température requise de la cheminée	T600	T600	T600	T600	T600	T600	T600
Diameter of connection opening (mm) Diamètre de l'ouverture de raccordement (mm)	115	115	115	115	115	115	115
Stone quantity (max. kg) Quantité de pierres (max. kg)	30	40	40	40	40	40 50 (Duo)	40
Stone size (cm) Taille des pierres (cm)	Ø10–15	Ø10–15	Ø10–15	Ø10–15	Ø10–15	Ø10–15	Ø10–15
Weight (kg) Poids (kg)	45	60 80 (Duo) 65 (RS/LS Pro)	75	65 (B)/70 (SL)/ 75 (BSL)	49 54 (SL)	65 80 (Duo)	65 70 (VS)
Width (mm) Largeur (mm)	390	430 580 (RS/LS Pro)	430	430	445	475	445 590 (VS)
Depth + fire chamber extension (mm) Profondeur + rallonge du foyer (mm)	430 +210 (SL)	510 +280 (Duo)	650	510 +210 (SL/BSL)	470 +210 (SL)	515 +280 (Duo)	530
Height + adjustable legs (mm) Hauteur + pieds réglables (mm)	715 –	760 + 0–30	760 + 0–30	760 + 0–30	770 + 0–30	800 + 0–30	780 +0–30
Thickness of fire chamber cover (mm) Épaisseur du couvercle du foyer (mm)	5	10	10	10	5	10	10
Maximum length of firewood (cm) Longueur maximale du bois de chauffage (cm)	35	39	39	39	35	39	39
Diameter of firewood (cm) Diamètre du bois de chauffage (cm)	8–15	8–15	8–15	8–15	8–15	8–15	8–15
Water container volume (l) Volume du récipient d'eau (l)	–	– 30 (RS/LS Pro)	20	–	–	–	– 30 (VS)

	<b>Linear 22 ES</b> WK220CES	<b>Linear 16</b> WK160C <b>16</b> WK160	<b>Linear 22</b> WK200C <b>22</b> WK220	<b>Linear 22 RS</b> WK220CRS <b>Linear 22 LS</b> WK220CLS	<b>26 Pro</b> WK260	<b>36 WK360</b> <b>36 Duo</b> WK360SLUX	<b>Classic 280</b> WKC280	<b>Linear 28</b> WK280C
Sauna room volume (m <sup>3</sup> ) Volume de la cabine de sauna (m <sup>3</sup> )	8–22	6–16	8–20	8–22	10–26	14–36	10–26	10–28
Required temperature class of chimney Classe de température requise de la cheminée	T600	T600	T600	T600	T600	T600	T600	T600
Diameter of connection opening (mm) Diamètre de l'ouverture de raccordement (mm)	115	115	115	115	115	115	115	115
Stone quantity (max. kg) Quantité de pierres (max. kg)	40	36	40	40	50	60	60	50
Stone size (cm) Taille des pierres (cm)	Ø10–15	Ø10–15	Ø10–15	Ø10–15	Ø10–15	Ø10–15	Ø10–15	Ø10–15
Weight (kg) Poids (kg)	72	46	60	64	65	70 80 (Duo)	70	68
Width (mm) Largeur (mm)	450	420	430	550	430	510	475	450
Depth + fire chamber extension (mm) Profondeur + rallonge du foyer (mm)	675	450	485	510	510	510 + 280 (Duo)	515	510
Height + adjustable legs (mm) Hauteur + pieds réglables (mm)	770 + 0–30	735 –	755 + 0–30	770 + 0–30	810 + 0–30	810 + 0–30	850 + 0–30	850 + 0–30
Thickness of fire chamber cover (mm) Épaisseur du couvercle du foyer (mm)	10	5	10	10	6	6	6	6
Maximum length of firewood (cm) Longueur maximale du bois de chauffage (cm)	39	35	39	39	39	39	39	39
Diameter of firewood (cm) Diamètre du bois de chauffage (cm)	8–15	8–15	8–15	8–15	8–15	8–15	8–15	8–15
Water container volume (l) Volume du récipient d'eau (l)	30	–	–	30	–	–	–	–

**Table 1. Technical Data**  
**Tableau 1. Données techniques**

**Declaration of Performance**  
**Déclaration de performance**

Intended use Utilisation envisagée	Multi firing sauna stoves fired by solid wood fuel Poêles pour sauna à foyer mixte alimentés en bois massif	 Harvia Oy PL 12 40951 Muurame Finland 16 <b>EN 15821:2010</b>
The product conforms to the following standards Le produit est conforme aux normes suivantes	Products are tested in accordance to the methods described in the standard EN 15821:2010 Les produits sont testés conformément aux méthodes décrites dans la norme EN 15821:2010	
Notified body (identification number) Organisme notifié (numéro d'identification)	VTT, PL 1000, 02044 VTT, Finland (0809)	

	DoP02M3	DoP16Linear16	DoP15Linear22	DoP0120Pro	DoP0726Pro	DoP0836	DoP19Linear28
Product type Type de produit	<b>M1</b> WKM11 <b>M2</b> WKM2 <b>M3</b> WKM3 <b>M3 SL</b> WKM3SL <b>Classic 140</b> WKC140	<b>Linear 16</b> WK160C <b>16</b> WK160	<b>Linear 22</b> WK200C <b>22</b> WK220 <b>Linear 22 ES</b> WK220CES <b>Linear 22 RS</b> WK220CRS <b>Linear 22 LS</b> WK220CLS	<b>20 Pro</b> WK200 <b>20 ES Pro</b> WK200ES <b>20 ES Pro S</b> WK200ESST <b>20 RS Pro</b> WK200RS <b>20 LS Pro</b> WK200LS <b>20 Boiler</b> WK200B <b>20 SL</b> WK200SL <b>20 SL Boiler</b> WK200BSL <b>20 Duo</b> WK200SLUX <b>Classic 220</b> WKC220 <b>Classic 220 Duo</b> WKC220LUX <b>Premium</b> WK200S <b>Premium VS</b> WK200SS	<b>26 Pro</b> WK260 <b>Classic 280</b> WKC280	<b>36</b> WK360 <b>36 Duo</b> WK360SLUX	<b>Linear 28</b> WK280C
Declared performance – Essential characteristic Performance déclarée – Caractéristique essentielle							
Fuel Combustible	Wood Bois	Wood Bois	Wood Bois	Wood Bois	Wood Bois	Wood Bois	Wood Bois
Fire safety (initiation, risk to adjacent elements) Sécurité anti-incendie (amorçage, risque pour les éléments adjacents)	p	p	p	p	p	p	p
- safety distances to combustible materials - distances de sécurité par rapport aux matériaux combustibles	▷3.1.3.	▷3.1.3.	▷3.1.3.	▷3.1.3.	▷3.1.3.	▷3.1.3.	▷3.1.3.
Emission of combustible products Émissions des produits combustibles	p	p	p	p	p	p	p
Surface temperature Température de surface	p	p	p	p	p	p	p
Release of dangerous substances Rejet de substances dangereuses	NPD	NPD	NPD	NPD	NPD	NPD	NPD
Cleanability Facilité de nettoyage	p	p	p	p	p	p	p
Flue gas temperature* Température des gaz de combustion*	374 °C	416 °C	506 °C	403 °C	422 °C	453 °C	409 °C
Mechanical resistance Résistance mécanique	p	p	p	p	p	p	p
Sauna room heating output Puissance de chauffe de la cabine de sauna	16,5 kW	17,9 kW	26,1 kW	24,1 kW	26,6 kW	31 kW	22 kW
- carbon monoxide emission at 13 % O <sub>2</sub> - émissions de monoxyde de carbone à 13 % O <sub>2</sub>	p (8146 mg/m <sup>3</sup> )	p (8541 mg/m <sup>3</sup> )	p (7457 mg/m <sup>3</sup> )	p (9782 mg/m <sup>3</sup> )	p (10033 mg/m <sup>3</sup> )	p (11256 mg/m <sup>3</sup> )	p (8710 mg/m <sup>3</sup> )
- carbon monoxide emission (%) at 13 % O <sub>2</sub> - émissions de monoxyde de carbone (%) à 13 % O <sub>2</sub>	p (0,65 %)	p (0,68 %)	p (0,60 %)	p (0,78 %)	p (0,8 %)	p (0,9 %)	p (0,7 %)
- total efficiency - rendement total	p (69 %)	p (66,1 %)	p (62,3 %)	p (68 %)	p (67 %)	p (66 %)	p (69 %)
- flue draught* - tirage de cheminée*	12 Pa	12 Pa	12 Pa	12 Pa	12 Pa	12 Pa	12 Pa
- ignition load - charge d'amorçage	2,7 kg	3,5 kg	3,5 kg	3,0 kg	5 kg	6,4 kg	4,0 kg
- refuelling loads - charge de ravitaillement	3,2 kg	4,0 kg	5,5 kg	4,5 kg	5,5 kg	7,2 kg	6,5 kg
- ash box gap (after ignition phase) - espace du bac à cendres (après la phase d'amorçage)	10 mm	20 mm	30 mm	20 mm	38 mm	50 mm	45 mm
Durability Durabilité	p	p	p	p	p	p	p
Flue gas mass flow* Débit massique des gaz de combustion*	14,5 g/s	15,9 g/s	22,7 g/s	19,6 g/s	21,1 g/s	23,5 g/s	16,6 g/s

\* Stove door closed/ Porte du poêle fermée, p Pass/Admis, NPD No performance determined/Aucune performance déterminée

Muurame, Finland, 8.4.2015



Teemu Harvia  
 Technical Director/ Directeur technique  
 teemu.harvia@harvia.fi  
 + 358 207 464 038

**Table 2.**  
**Table 2.**

## 1. GENERAL

Choose the stove model carefully. A stove with too low output must be heated longer and more intensely, which will shorten the stove's life span.

Please note that non-insulated wall and ceiling surfaces (such as brick, glass, tile and concrete surfaces) increase the output requirement of the stove. For every square meter of such wall and ceiling surface you should calculate an additional 1.2 m<sup>3</sup> volume. If the sauna walls are made of massive log, the volume must be multiplied by 1.5. Examples:

- A 10 m<sup>3</sup> sauna room with a brick wall 2 m high and 2 m wide is equivalent to a sauna room of approximately 15 m<sup>3</sup>.
- A 10 m<sup>3</sup> sauna room with a glass door is equivalent to a sauna room of approximately 12 m<sup>3</sup>.
- A 10 m<sup>3</sup> sauna room with massive log walls is equivalent to a sauna room of approximately 15 m<sup>3</sup>.

The dealer or our factory representative can assist you in choosing the stove if needed. You can also visit our website [www.harviasauna.com](http://www.harviasauna.com) for further details.

### 1.1. Stove Parts

- A. Upper connection opening
- B. Rear connection opening
- C. Soot opening
- D. Stove door
- E. Ash box

## 1. GENERALITES

Choisissez soigneusement le modèle de poêle. Un poêle de puissance trop faible doit être chauffé plus longtemps et de façon plus intense, ce qui réduit sa durée de vie.

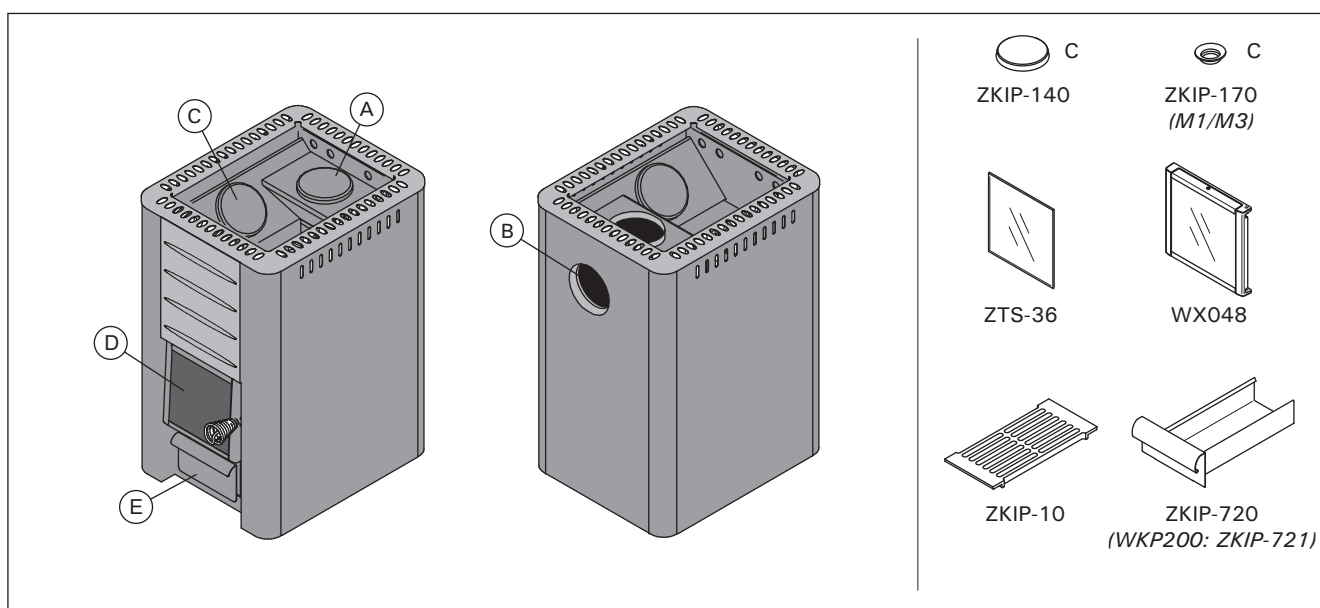
Lors du choix du poêle, notez que les surfaces des murs et du plafond qui ne sont pas isolées (surfaces en brique, en verre, en tuiles et en béton) augmentent les besoins en terme de puissance. Pour chaque mètre carré de surface composé de telle matière, vous devez calculer un volume supplémentaire de 1,2 m<sup>3</sup>. Si les parois du sauna sont en madriers massifs, le volume doit être multiplié par 1,5. Exemples :

- Une cabine de sauna de 10 m<sup>3</sup> dotée d'un mur de brique de 2 m de haut et 2 m de large équivaut à une cabine d'environ 15 m<sup>3</sup>.
- Une cabine de sauna de 10 m<sup>3</sup> dotée d'une porte en verre équivaut à une cabine d'environ 12 m<sup>3</sup>.
- Une cabine de sauna de 10 m<sup>3</sup> dotée de parois en madriers massifs équivaut à une cabine d'environ 15 m<sup>3</sup>.

Si nécessaire, le distributeur ou le représentant d'usine peut vous guider dans le choix de votre poêle. Pour plus d'informations, vous pouvez aussi visiter notre site Web à l'adresse [www.harviasauna.com](http://www.harviasauna.com).

### 1.1. Composants du poêle

- A. Ouverture de raccordement supérieure
- B. Ouverture de raccordement arrière
- C. Ouverture de ramonage
- D. Porte du foyer
- E. Bac à cendres



**Figure 1.** Stove parts. Note! Only use replacement parts recommended by the manufacturer. Unauthorised modification of the stove is prohibited.

**Figure 1.** Composants du poêle. Note! Utilisez uniquement les pièces de rechange recommandées par le fabricant. Toute modification du poêle sans autorisation est interdite.



## 2. INSTRUCTIONS FOR USE



Read the instructions carefully before using the stove.

### 2.1. Warnings

- Staying in the hot sauna for long periods of time makes the body temperature rise, which may be dangerous.
- Keep away from the stove when it is hot. The stones and outer surface of the stove may burn your skin.
- Never throw water on the stones when there are people near the stove, because hot steam may burn their skin.
- Keep children away from the stove.
- Do not let young, handicapped or ill people bathe in the sauna on their own.
- Consult your doctor about any health-related limitations to bathing.
- Consult your child welfare clinic about taking little babies to the sauna.
- Be very careful when moving in the sauna, as the platform and floors may be slippery.
- Never go to a hot sauna if you have taken alcohol, strong medicines or narcotics.
- Never sleep in a hot sauna.
- Sea air and a humid climate may corrode the metal surfaces of the stove.
- Do not hang clothes to dry in the sauna, as this may cause a risk of fire.

### 2.2. Preparing the Stove for Use

Perform the first heating outdoors. The stove body has been painted with protective paint, which will vaporise during the first heating. This will cause the stove body to emit smoke. When the smoking stops, the stove is ready for normal use. Remove leftover paint mechanically e.g. with a wire brush and a vacuum cleaner.

Install the smoke pipes (▷3.4.) for draught. This will cause odours to vaporize from the smoke pipes as well.

The outer casing has been painted with heat-resistant paint, which reaches its final cured state during the first heating. Prior to this, rubbing or sweeping the painted surfaces of the stove must be avoided.

- **The sauna stones should not be placed in the stove before the first heating. Place the stones in the stove only when the stove has cooled completely after the first heating.**
- **Stove with a water container:** Clean the water container carefully prior to use. Fill up the water container prior to the first heating.



Do not throw water on the stove during first heating. Painted surfaces can get damaged.

## 2. INSTRUCTIONS D'UTILISATION



Lisez attentivement les présentes instructions avant d'utiliser le poêle.

### 2.1. Avertissements

- Des séances prolongées dans un sauna chaud provoquent une élévation de la température du corps qui peut s'avérer dangereuse.
- Se tenir éloigné des pierres et les parties métalliques du poêle. Elles risquent de provoquer des brûlures.
- Veiller aussi à ne pas projeter d'eau sur les pierres lorsque quelqu'un se trouve à proximité du poêle, la vapeur bouillante risquant de causer des brûlures.
- Tenir les enfants éloignés du poêle.
- Les enfants, les handicapés et les personnes affaiblies ou en mauvaise santé doivent être accompagnés lors des séances de sauna.
- Il est conseillé de consulter un médecin au cas où les séances de sauna seraient contre-indiquées.
- Discuter avec un pédiatre de la participation éventuelle d'enfants en bas âge aux séances de sauna.
- Toujours se déplacer avec la plus grande prudence, les bancs et le sol pouvant être glissants.
- Ne pas prendre un sauna sous l'effet de produits narcotiques (alcool, médicaments, drogues etc.).
- Ne jamais dormir dans un sauna chaud.
- L'air marin et humide est susceptible d'avoir une action corrosive sur les surfaces métalliques.
- Ne pas utiliser le sauna pour y faire sécher du linge sous peine de provoquer un incendie.

### 2.2. Préparation du poêle à l'utilisation

Procédez à la première utilisation à l'extérieur. Le corps du poêle est recouvert d'une peinture de protection qui va s'évaporer à la première utilisation, entraînant un dégagement de fumée. Une fois la fumée dissipée, le poêle est prêt pour une utilisation normale. Retirer les restes de peinture mécaniquement par exemple avec une brosse métallique et un aspirateur.

Installez les conduits de fumée (▷3.4.) pour tirage. De cette manière, les conduits de fumée diffuseront également des odeurs.

L'enveloppe des poêles est recouverte d'une peinture résistante à la chaleur, qui atteint son état durci final lors de la première mise en service. Avant cela, vous devez éviter de frotter ou d'essuyer les surfaces peintes du poêle.

- **Les pierres du poêle ne doivent pas être placées dans le poêle avant la première utilisation. Ne placez les pierres dans le poêle que lorsque ce dernier a complètement refroidi après la première utilisation.**
- **Poêle avec réservoir d'eau :** Nettoyez soigneusement le réservoir d'eau avant toute utilisation. Remplir le réservoir d'eau avant sa mise en chauffe.



Ne jetez pas d'eau sur le poêle lors de la première utilisation, sous peine d'endommager les surfaces peintes.

### 2.3. Burning Material

Dry wood is the best material for heating the stove. Dry chopped firewood clinks when it is knocked together with another piece. The moisture of the wood has a significant impact on how clean the burning is as well as on the efficiency of the stove. You can start the fire with birch bark or newspapers.

The thermal value of wood differs from one type of wood to another. For example, you must burn 15 % less beech than birch to obtain the same heat quantity. **If you burn large amounts of wood, which has a high thermal value, the life span of the stove will shorten!**

**Do not burn the following materials in the stove:**

- Burning materials that have a high thermal value (such as chipboard, plastic, coal, bricks, pellets)
- Painted or impregnated wood
- Waste (such as PVC plastic, textiles, leather, rubber, disposable diapers)
- Garden waste (such as grass, leaves)
- Liquid fuel

### 2.4. Sauna Stones

- The stones should be 10–15 cm in diameter.
- Only proper stones meant for the specific purpose should be used as sauna stones. Peridotite, olivine-dolerite and olivine are suitable stone types. Stones found in nature may contain harmful substances, such as iron pyrite, and therefore should not be used.
- Wash off dust from the stones before piling them into the stove.

### 2.3. Matériau combustible

Le bois sec est le meilleur matériau de chauffage du poêle. S'ils sont secs, les morceaux de bois de chauffage résonnent lorsqu'ils s'entrechoquent. L'humidité du bois a une incidence importante sur la propreté de la combustion et l'efficacité du poêle. Vous pouvez allumer le feu à l'aide d'écorces de bouleau ou de journaux.

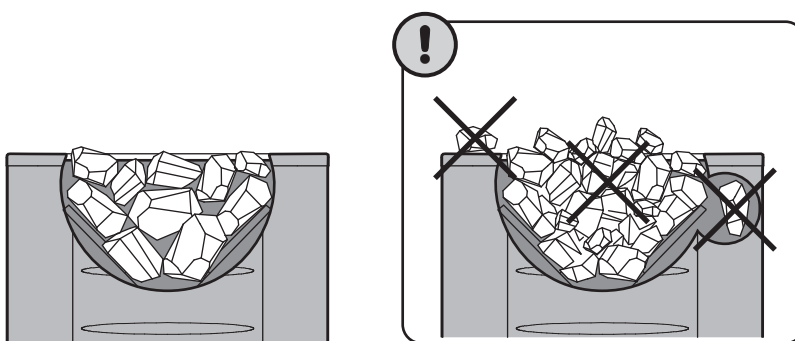
La valeur thermique du bois diffère selon la nature de ce dernier. Ainsi, par exemple, il faut brûler 15 % de hêtre en moins que de bouleau pour obtenir la même quantité de chaleur. **Le fait de brûler de grosses quantités de bois présentant une forte valeur thermique réduit la durée de vie du poêle !**

**Dans le poêle, ne brûlez pas les matériaux suivants :**

- les matériaux combustibles ayant un pouvoir calorifique élevé (copeaux de bois, plastique, charbon, briquettes, palettes)
- le bois peint ou imprégné
- les déchets (comme le plastique PVC, les textiles, le cuir, le caoutchouc, les couches jetables)
- les résidus de jardin (comme l'herbe et les feuilles)
- Combustible liquide

### 2.4. Pierres pour sauna

- Le diamètre des pierres doit se situer entre 5 et 10 cm.
- Seules des pierres adaptées à cet usage spécifique doivent être utilisées en tant que pierres de sauna. La péridotite, l'olivine et la dolérite olivine sont des pierres adaptées. Les roches supracrustales trouvées dans la nature peuvent contenir des substances nocives, par exemple de la pyrite et ne doivent donc pas être utilisées.
- Dépoussiérer les pierres avant de les empiler dans le poêle.




- Place the larger stones at the bottom and the smaller ones on the top.
- **Make sure that air circulates between the stones.**
- **Do not place stones against the frame around the stone space or on top of it.**
- **Do not place stones between the grille and the stove body!**

- Placez les plus grosses pierres au fond et les plus petites sur le dessus.
- **Les pierres ne doivent pas former une pile trop serrée, pour permettre à l'air de circuler à travers le poêle.**
- **Ne placez pas les pierres contre la grille, autour du compartiment à pierres ou au-dessus.**
- **Ne placez pas de pierres entre la grille et le corps du poêle !**

Figure 2. *Piling the stones*  
Figure 2. *Empilement des pierres*


## 2.5. Heating the Stove

 Before heating the stove make sure that there are no unnecessary items in the sauna or inside the stove's safety distances. Extractor fans when operated in the same space as the stove, may cause problems.

1. Empty the ash box.
2. Place the firewood into the fire chamber, leaving enough room for the combustion air to flow between the firewood. Place the biggest firewood on the bottom and the smaller ones on the top. Use firewood with a diameter of 8–12 cm (consider the ignition load value, table 2).
3. Place the kindling on the top of the firewood. By starting the fire on the top of the firewood, fewer emissions are produced.
4. Fire the kindling and close the door. The amount of draught can be adjusted by opening the ash box. The stove is not intended for use with the stove door open.
 


**Note! The handles become hot while in use. Use the supplied tool for opening and closing the stove door and ash box (figure 3).**

  - When heating the stove, it is generally a good idea to at first keep the ash box slightly open. This ensures that the fire starts burning properly.
  - Excessive draught will cause the stove body to become red-heated, which will shorten its life span considerably.
  - During bathing, and when the sauna room is already heated, the ash box can be closed to keep down the fire and decrease wood consumption. See the optimal ash box gap in table 2. Measure the gap using the holes in the sides of the ash box. The holes are 5 mm long and the distance between the hole edges is 5 mm.
5. If necessary, place more firewood into the fire chamber when the ember is dying down. Use firewood with a diameter of 12–15 cm. It takes only a couple of pieces of wood to maintain the bathing temperature (consider the refuelling loads value, table 2).

 Prolonged, intense heating may cause risk of fire!

- Excessive heating (several full loads in a row, for example) will make the sauna room, stove and the chimney overheat. Overheating shortens the stove's life span and may cause risk of fire.
- A good rule of thumb is that temperatures of over 100 °C are too high in a sauna.
- Observe the correct wood quantities noted in the heating instructions. Let the stove, chimney and sauna room cool down if necessary.

## 2.5. Chauffage du poêle

 Avant de chauffer le poêle, vérifiez qu'aucun objet inutile ne se trouve dans le sauna ou dans le périmètre de sécurité du poêle. Utilisés dans le même espace que le poêle, les ventilateurs extracteurs peuvent occasionner des problèmes.

1. Videz le bac à cendres.
2. Placez le bois de chauffage dans le foyer en laissant suffisamment de place pour que l'air comburant puisse circuler entre les morceaux. Placez les plus grosses pierres au fond et les plus petites sur le dessus. Utilisez du bois de chauffage d'un diamètre compris entre 8 et 12 cm (tenez compte de la valeur de charge d'amorçage, tableau 2).
3. Placez le bois d'allumage sur le bois de chauffage. Le fait d'allumer le feu sur le bois de chauffage réduit la production d'émissions.
4. Allumez le bois de chauffage et fermez la porte. Le tirage peut être réglé en ouvrant le bac de cendres. Le poêle n'est pas destiné à être utilisé porte ouverte.
 

**Remarque ! Les poignées deviennent chaudes pendant l'utilisation. Utilisez l'outil fourni pour ouvrir et fermer la porte du poêle et le bac à cendres (figure 3).**

  - Lorsque vous chauffez le poêle, nous vous conseillons de commencer par laisser le bac à cendres légèrement ouvert. Cela vous permet de démarrer correctement le feu.
  - Un tirage excessif risque de porter le poêle au rouge et de réduire ainsi considérablement sa durée de vie.
  - Lors des séances de sauna et lorsque la cabine est déjà chauffée, vous pouvez fermer le bac à cendres afin de baisser le feu et de réduire la consommation de bois. Voir l'espace optimal du bac à cendres dans le tableau 2. La largeur d'ouverture peut être mesurée à l'aide des trous sur les côtés du bac à cendres. Les trous sont de 5 mm de long et la distance entre les trous est de 5 mm.
5. Si nécessaire, placez davantage de bois de chauffage dans le foyer lorsque la braise diminue. Utilisez du bois de chauffage d'un diamètre compris entre 12 et 15 cm. Seuls quelques morceaux de bois suffisent à maintenir la température adéquate (tenez compte de la valeur de charge de ravitaillement, tableau 2).

 Un chauffage prolongé ou trop intense peut entraîner un incendie !

- Un chauffage excessif (plusieurs charges pleines consécutives, par exemple) entraîne une surchauffe du poêle et de la cheminée. Ce phénomène réduit la durée de vie du poêle et entraîne un risque d'incendie.
- En règle générale, les températures supérieures à 100 °C sont trop élevées dans un sauna.
  - Respectez les quantités de bois correctes indiquées dans les instructions de chauffage. Si nécessaire, laissez refroidir le poêle, la cheminée et le sauna.

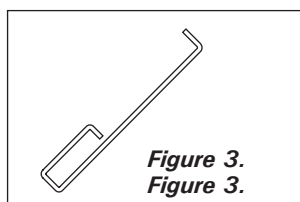



Figure 3.  
Figure 3.

## 2.6. Sauna Water

The water that is thrown on the stones should be clean household water. Make sure the water is of high enough quality, because water containing salt, lime, iron or humus may prematurely corrode the stove. Especially seawater will corrode the stove very rapidly. The following quality requirements apply to household water:

- humus content < 12 mg/litre
- iron content < 0.2 mg/litre
- calcium content < 100 mg/litre
- manganese content < 0.05 mg/litre

 **Throw sauna water on the stones only. If you throw water on the hot steel surfaces, they may blister due to the large temperature variation.**

## 2.7. Maintenance

### Stove

- The ash box should always be emptied before heating the stove so that the combustion air that is lead through the box would cool off the fire grate and lengthen its life span. Get a metal container, preferably standing model, to put the ash in. **As the removed ash may include hot embers, do not keep the ash container close to combustible material.**
- Soot and ashes gathered in the smoke canals of the stove should be removed occasionally through the soot openings (▷1.1.).
- Due to large variation in temperature, the sauna stones disintegrate in use. Therefore, they should be rearranged at least once a year or even more often if the sauna is in frequent use. At the same time, any pieces of stones should be removed from the stone space, and disintegrated stones should be replaced with new ones.
- Wipe dust and dirt from the stove with a damp cloth.


### Chimney

- The chimney and connection pipes should be swept at regular intervals and especially if the stove has not been used in a long time.
- Due to incomplete burning of fuel and failure of sweeping the chimney, the soot build-up in the flue may ignite. Actions to be taken in case of a chimney fire:
  1. Close the ash box, stove door and damper plate (if installed).
  2. Contact local fire authority.
  3. Do not try to extinguish fire using water.
  4. After a sootfire, a chimney sweeper must check the stove and the flue before use.

## 2.6. Eau du sauna

L'eau versée sur les pierres doit être de l'eau de consommation propre. Assurez-vous que l'eau est de suffisamment bonne qualité, car une eau contenant du sel, du calcaire, du fer ou de l'humus risque d'entraîner la corrosion prématurée du poêle. L'eau de mer, en particulier, risque d'entraîner une corrosion très rapide du poêle. Les exigences suivantes s'appliquent en matière de qualité de l'eau de consommation :

- teneur en humus < 12 mg/litre
- teneur en fer < 0,2 mg/litre
- teneur en calcium < 100 mg/litre
- teneur en manganèse < 0,05 mg/litre.

 **Jetez de l'eau uniquement sur les pierres. Si vous en jetez sur les surfaces en acier chaudes, celles-ci risquent de cloquer en raison de l'importante variation de température.**

## 2.7. Entretien du poêle

### Poêle

- Le bac à cendres doit toujours être vidé avant de mettre le poêle en service, de manière à ce que l'air de combustion qui passe par le bac puisse refroidir la grille du foyer et prolonger sa durée de vie. Utilisez un bac en métal, de préférence sur pied, pour y vider les cendres. **Les cendres retirées du bac pouvant contenir des tisons chauds, ne placez pas le conteneur à proximité d'un matériau combustible.**
- La suie et les cendres accumulées dans les conduits de fumée du poêle doivent être nettoyées occasionnellement via les ouvertures de ramonage (▷1.1.).
- Étant données les variations importantes de température, les pierres du poêle se désintègrent au fur et à mesure de leur utilisation. Elles doivent donc être remises en place au moins une fois par an, voire plus souvent si vous utilisez votre sauna fréquemment. En même temps, tous les morceaux de pierre doivent être retirés du compartiment à pierres et les pierres désintégrées doivent être remplacées par des neuves.
- Essuyer la poussière et la saleté accumulées sur le poêle à l'aide d'un chiffon humide.

### Cheminée

- La cheminée et les tuyaux de raccordement doivent être ramonés à intervalles réguliers, et notamment si le poêle n'a pas été utilisé depuis longtemps.
- En raison d'une combustion incomplète du combustible et de l'absence de ramonage de la cheminée, l'accumulation de suie dans le tuyau d'évacuation peut s'enflammer. Actions à entreprendre en cas de feu de cheminée :
  1. Fermez le bac à cendres, la porte du poêle et le registre (s'il est installé).
  2. Contactez les autorités locales de lutte contre l'incendie.
  3. N'essayez pas d'éteindre le feu avec de l'eau.
  4. Après un feu de cheminée, un ramoneur doit contrôler le poêle et le tuyau d'évacuation avant utilisation.

## 2.8. Troubleshooting

**There is no draught in the flue. Smoke comes into the sauna.**

- There are leaks in the flue connection. Seal the connection (▷3.2.2.).
- The brick flue is cold.
- There is low pressure caused by an extractor fan or another device in the room. Make sure there is enough air to compensate.
- Several fireplaces are used at the same time. Make sure there is enough air to compensate.
- The ash box is full.
- The smoke canals of the stove are blocked (▷2.7.).
- The flue connection pipe is too deep in the chimney (▷3.2.2.).

**The sauna does not heat up.**

- The sauna is too big in relation to the stove's heating capacity (see table 1).
- There is lots of non-insulated wall surface in the sauna (▷1.).
- The burning material is moist or its quality is otherwise low (▷2.3.).
- The flue does not have a good draught.
- The smoke canals of the stove are blocked (▷2.7.).

**The stove stones do not heat up.**

- The sauna is too small in relation to the stove's heating capacity (▷1.).
- The flue does not have a good draught.
- The burning material is moist or its quality is otherwise low (▷2.3.).
- The smoke canals of the stove are blocked (▷2.7.).
- Check the stone placement (▷2.4.). Remove the small pieces of stone and stones that are less than 10 cm in diameter from the stone space. Replace the disintegrated stones with large and undamaged ones.

**The stove emits smell.**

- See section 2.2.
- The hot stove may emphasize odours mixed in the air that are not, however, caused by the sauna or the stove. Examples: paint, glue, oil, seasoning.

**Wooden surfaces of the sauna room blacken**

- It is perfectly normal for the wooden surfaces of the sauna room to blacken in time. The blackening may be accelerated by sunlight, heat from the stove, protective agents on the walls (protective agents have a poor heat resistance level), fine particles disintegrating from the sauna stones which rise with the air flow and smoke that enters the sauna, for example, when adding firewood.

## 2.8. Dépannage

**Absence de tirage dans le conduit de fumée. De la fumée s'échappe dans le sauna.**

- Le raccordement du conduit présente des fuites. Etanchéifiez le raccordement (▷3.2.2.).
- Le conduit en brique est froid.
- La pression est faible en raison d'un évacuateur des fumées ou d'un autre dispositif dans la pièce. Assurez-vous qu'il y ait suffisamment d'air pour compenser.
- Plusieurs foyers sont utilisés simultanément. Assurez-vous qu'il y ait suffisamment d'air pour compenser.
- Le bac à cendres est plein.
- Les conduits de fumée du poêle sont obstrués (▷2.7.).
- Le conduit de fumée de raccordement est trop loin dans le conduit (▷3.2.2.).

**Le sauna ne chauffe pas.**

- Le sauna est trop grand par rapport à la capacité de chauffage du poêle (voir le tableau 1).
- Le sauna comporte de nombreuses surfaces de parois non isolées (▷1.).
- Le matériau combustible est humide ou de mauvaise qualité (▷2.3.).
- Le conduit ne présente pas un bon tirage.
- Les conduits de fumée du poêle sont obstrués (▷2.7.).

**Les pierres du poêle ne chauffent pas.**

- Le sauna est trop petit par rapport à la capacité de chauffage du poêle (1.).
- Le conduit ne présente pas un bon tirage.
- Le matériau combustible est humide ou de mauvaise qualité (▷2.3.).
- Les conduits de fumée du poêle sont obstrués (▷2.7.).
- Vérifiez si les pierres sont correctement mises en place (2.4.). Retirez du compartiment à pierres les petits morceaux de pierre et les pierres présentant un diamètre inférieur à 10 cm. Remplacez les pierres désintégrées par des neuves de grande taille.

**Des odeurs se dégagent du poêle.**

- Voir le paragraphe 2.2.
- Lorsqu'il est chaud, le poêle peut accentuer les odeurs présentes dans l'air mais qui ne sont pas liées au sauna ni au poêle. Exemples : peinture, colle, graisse, assaisonnements.

**Surfaces en bois de la cabine de sauna noircies**

- Avec le temps, il est tout à fait normal que les surfaces en bois de la cabine de sauna noircissent. Ce noircissement peut être accéléré par la lumière du soleil, la chaleur du poêle, les agents de protection appliqués sur les murs (les agents de protection présentent un faible niveau de résistance à la chaleur), les fines particules provenant des pierres du poêle qui sont soulevées par le flux d'air et la fumée qui se dégage dans le sauna, par exemple, lors de l'ajout de bois de chauffage.



### 3. INSTRUCTIONS FOR INSTALLATION

#### 3.1. Before Installation

**!** Before installing the stove make sure that all safety distance requirements are fulfilled. There shall be no electrical devices, wires or inflammable materials within the established safety distances around the stove.

- All local regulations, including those referring to national and European standards need to be complied with when installing the appliance.
- The stove is not suitable for installation in a shared flue system.
- The local fire authorities in charge of approving the installations can provide more detailed information about fire safety regulations.

##### 3.1.1. Ventilation of the Sauna Room

The ventilation of the sauna room should be arranged as follows:

##### Gravity exhaust ventilation (figure 4)

- The fresh air inlet must be placed close to the floor near the stove and
- its outlet should be as far as possible from the stove and near the ceiling. The stove itself circulates air effectively; the purpose of the outlet is mainly to remove moisture from the sauna after bathing.

##### Mechanical exhaust ventilation (figure 5)

- The fresh air inlet must be approx. 500 mm above the stove and
- the outlet should be close to the floor, for example, below the bench.

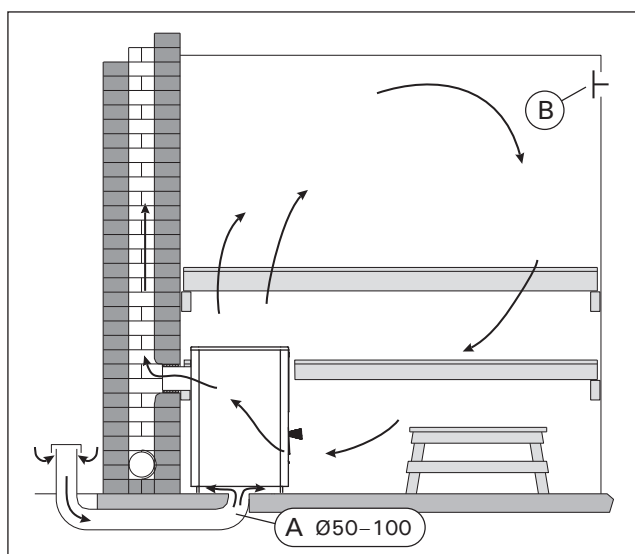


Figure 4. Gravity exhaust ventilation  
Figure 4. Ventilation par gravité

### 3. INSTRUCTIONS D'INSTALLATION

#### 3.1. Avant l'installation

**!** Avant d'installer le poêle, vérifiez que toutes les distances de sécurité sont respectées. Aucun appareil électrique, câble ou matériau inflammable ne doit se trouver dans le périmètre de sécurité établi autour du poêle.

- Toutes les réglementations locales, y compris celles se référant aux normes nationales et européennes, doivent être respectées lors de l'installation de l'appareil.
- Le poêle n'est pas conçu pour être installé dans un système à tuyau d'évacuation partagé.
- Les autorités locales de lutte contre l'incendie chargées d'approuver les installations peuvent vous fournir de plus amples informations sur les réglementations de sécurité contre l'incendie.

##### 3.1.1. Ventilation de la cabine de sauna

La ventilation de la cabine de sauna doit être structurée comme suit :

##### Ventilation par gravité (figure 4)

- La prise d'air neuf doit être placée à proximité du sol, près du poêle, et
- sa sortie doit être située aussi loin que possible du poêle et à proximité du toit. Le poêle lui-même fait circuler l'air efficacement ; l'ouverture sert principalement à évacuer l'humidité de la cabine après la séance de sauna.

##### Ventilation mécanique (figure 5)

- La prise d'air neuf doit être placée à environ 500 mm au-dessus du poêle et
- la sortie doit être placée à proximité du sol, par exemple sous le banc.

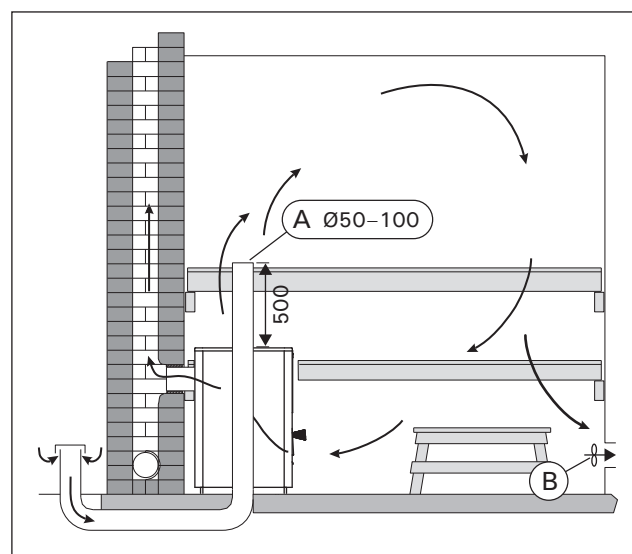


Figure 5. Mechanical exhaust ventilation  
Figure 5. Ventilation mécanique

### 3.1.2. Protecting the Floor

See figure 6.

- A. Concrete floor without tiles.** The stove can be installed on a concrete floor without any specific safety measures, if the concrete is at least 60 mm thick. Make sure that there are no wires or water pipes in the concrete cast below the stove.
- B. Tile floor.** The floor glues and plasters and waterproof materials used below the tiles are not resistant to the heat radiation of the stove. Protect the floor with the Harvia protective bedding (▷3.4.) or similar heat radiation protection.
- C. Floor made of inflammable material.** Protect the floor with the Harvia protective bedding (▷3.4.). If the floor in front of the stove door is made of inflammable material, install floor protection made of nonflammable material.

**!** The stove shall be installed on a floor with an adequate load-bearing capacity. If the existing floor does not meet this prerequisite, suitable measures (e.g. load distributing plate) shall be taken to achieve it.

**!** Light-coloured floor materials will become dirty from the ash, particles of stone and metal flakes that fall from the stove. Use floor coverings made of dark materials and dark joint grouts.

### 3.1.2. Protection du sol

Voir figure 6.

- A. Sol en béton sans carrelage :** le poêle peut être installé sur un sol en béton sans mesure de sécurité spécifique si le béton mesure au moins 60 mm d'épaisseur. Assurez-vous qu'aucun câble électrique ni aucun tuyau d'eau ne se trouve dans le béton situé sous le poêle.
- B. Sol en carrelage :** les colles et enduits de sol et les matériaux d'étanchéité utilisés sous les carreaux ne résistent pas au rayonnement de chaleur du poêle. Protégez le sol avec la couche de protection Harvia (▷3.4.) ou une protection similaire contre le rayonnement de chaleur.
- C. Sol constitué de matériaux inflammables :** Protégez le sol avec la couche de protection Harvia (▷3.4.). Si le sol devant la porte du poêle est fabriqué en matériau combustible, installez une protection de sol en matériau non combustible.

**!** Le poêle doit être installé sur un sol présentant une capacité portante adéquate. Si le sol existant ne remplit pas cette condition préalable, prendre les mesures appropriées (plaque de répartition de charge par exemple) pour y parvenir.

**!** Les sols de couleur claire seront salis par les cendres, les particules de pierre et les paillettes de métal qui tombent du poêle. Utilisez des revêtements de sol et des joints en ciment sombres.

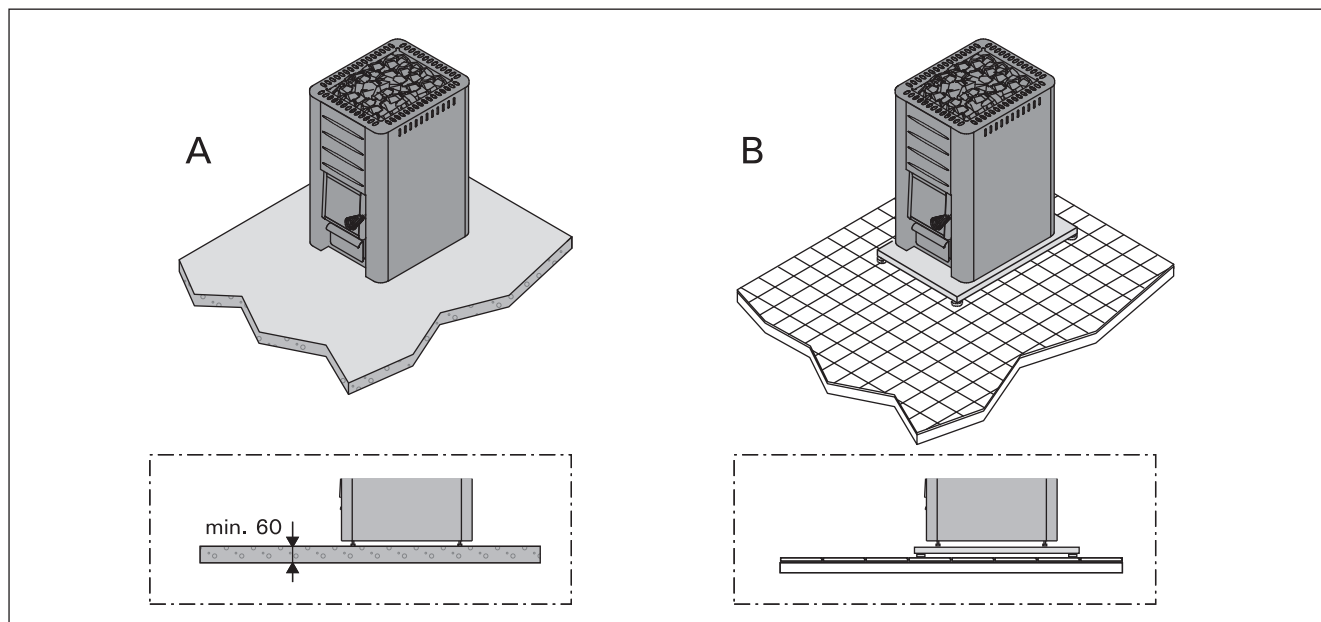


Figure 6. Protecting the floor (all dimensions in millimeters)

Figure 6. Protection du sol (toutes les dimensions sont fournies en millimètres)

### 3.1.3. Safety Distances

See figures 7 and 8.

- **Ceiling.** The minimum safety distance between the stove and the ceiling (A).
- **Walls and benches made of inflammable materials.** The minimum safety distances to inflammable materials: on either side (B), behind the stove (C), in the front (D).
- **Masonry walls (E).** Leave 50 mm between the stove and walls, provided that the air can circulate in front and to one side of the stove. If the stove is installed in a recessed wall, leave

### 3.1.3. Distances de sécurité

Voir figure 7 et 8.

- **Toit.** La distance de sécurité minimale entre le poêle et le toit (A).
- **Murs et plates-formes en bois.** Les distances de sécurité minimales par rapport aux matériaux inflammables : aux côtés du poêle (B), à l'arrière (C) et à l'avant (D).
- **Murs maçonnés (E).** Laissez 50 mm entre le poêle et les murs, à condition que l'air puisse circuler à l'avant et sur un côté du poêle. Si le poêle est encastré dans un mur, laissez

100 mm between the stove and walls for the air circulation.

100 mm entre le poêle et les parois afin de permettre à l'air de circuler.

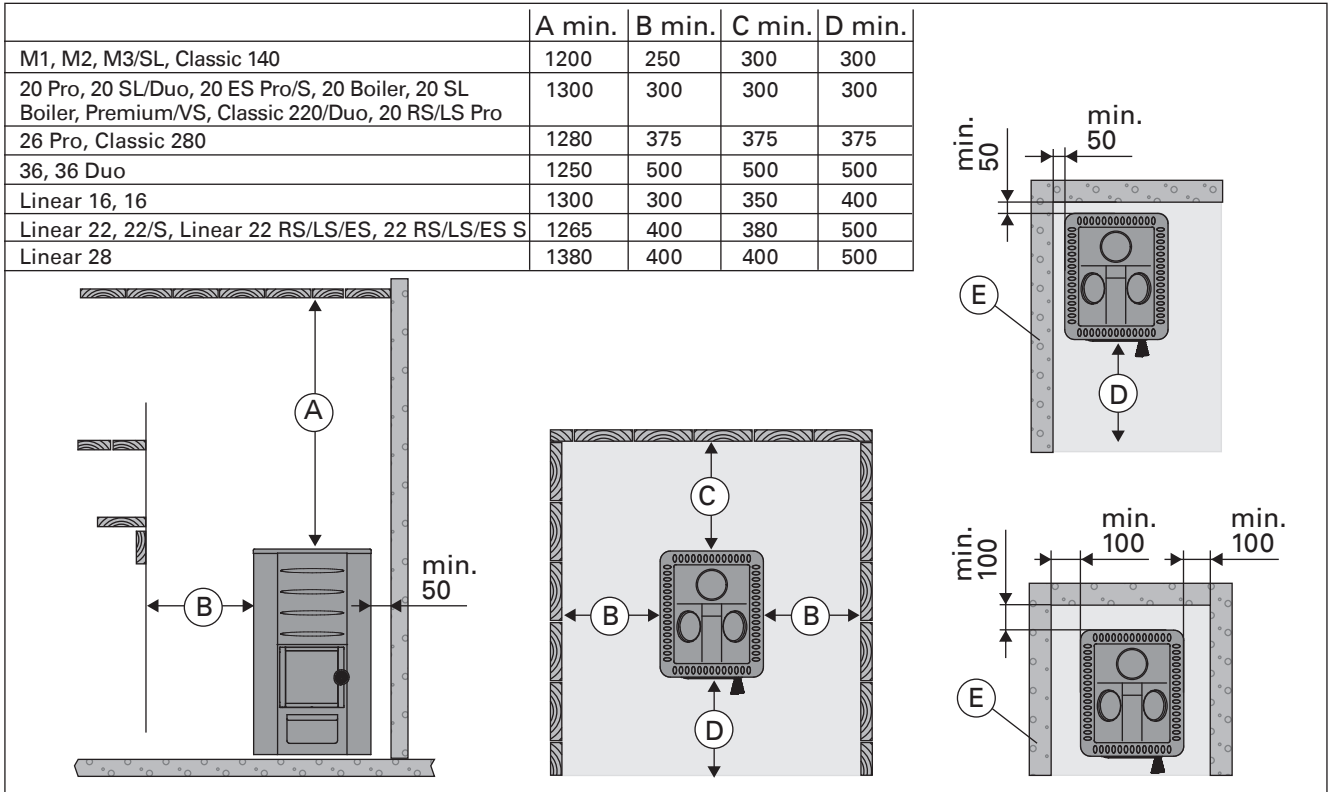


Figure 7. Safety distances (all dimensions in millimeters)

Figure 7. Distances de sécurité (toutes les dimensions sont fournies en millimètres)

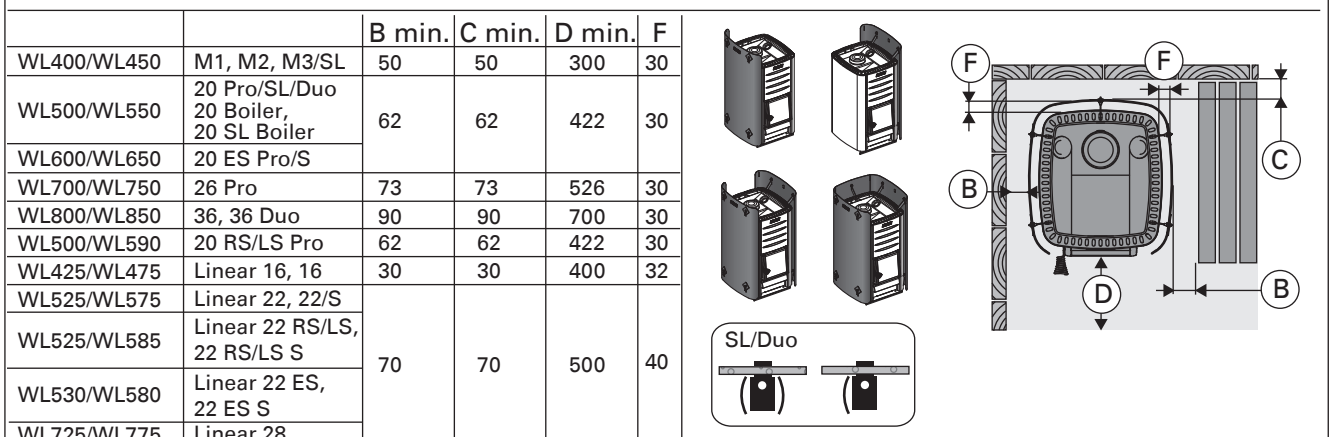
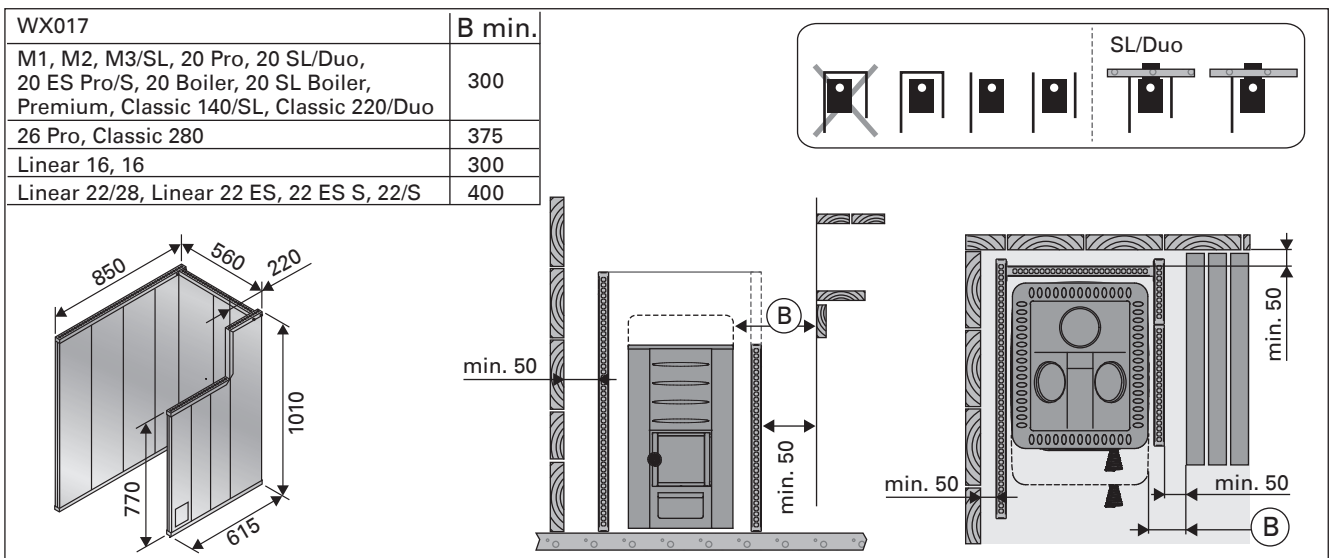


Figure 8. Safety distances with protective sheaths (all dimensions in millimeters)

Figure 8. Distances de sécurité avec les gaines de protection (toutes les dimensions sont fournies en millimètres)

## 3.2. Installing the Stove

### 3.2.1. Adjustable Legs (excluding the models M1/M2/M3/M3 SL/Linear 16/16)

The adjustable legs enable the stove to be installed firmly on an inclined floor. The adjustable range is 0–30 mm. Unscrew the adjustable feet to an extent that allows them to be adjusted using a wrench (17 mm) when the stove is in position.

**⚠ The adjustable feet could scratch the floor surface if the stove is moved on the floor.**

### 3.2.2. Connecting the Stove to a Masonry Flue

Make an opening in the fireproof wall for the flue connection. Notice that the opening has to be at the correct height, if you intend to use, for instance, a protective bedding. The hole should be slightly larger than the flue connecting pipe. A suitable gap around the connection pipe is ca. 10 mm. It is advisable to round off the inner corners of the flue opening to ensure that the combustion gases can flow freely to the flue. Additional accessories are available to make the installation easier (▷3.4.).

**M1, M2, M3/SL, 20 Pro/SL, 20 ES Pro/S, 20 Boiler/SL, Classic 140/220/280, Premium/VS, 20 RS/LS Pro, Linear 16/22/28, Linear 22 RS/LS/ES, 16/22: Connecting the stove to a masonry flue via the rear connection opening (figure 9)**

1. Bend the cover hatch downwards (M1/M2/M3, Classic 140/220/280, Premium/Premium VS, Linear 16, 16 only). Attach the flue connection pipe to the rear connection opening. Ensure that the pipe fits tightly in place.
2. Push the stove into place. Do not block the flue by pushing the flue connection pipe too far into the flue. If necessary, shorten the pipe.
3. Seal the flue connection pipe to the opening in the fireproof wall, for example, by using fireproof mineral wool. Make sure that the flue connection is tightly sealed. Add more fireproof mineral wool if necessary.

## 3.2. Installation du poêle

### 3.2.1. Pieds réglables du poêle (à l'exclusion des modèles M1/M2/M3/M3 SL/Linear 16/16)

Les pieds réglables permettent d'installer le poêle fermement sur un sol incliné. La plage de réglage est de 0 à 30 mm. Les pieds réglables doivent être dévissés de manière à pouvoir être réglés à l'aide d'une clé à fourches (17 mm) lorsque le poêle est en place.

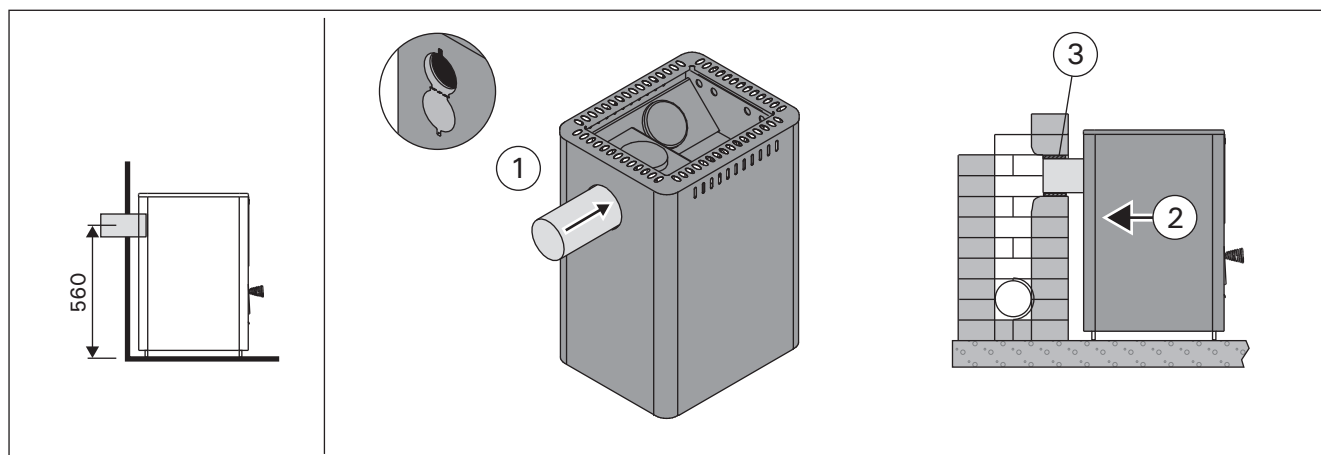
**⚠ Les pieds réglables risquent de rayer la surface du sol si le poêle est déplacé.**

### 3.2.2. Raccordement du poêle à une cheminée en maçonnerie

Faites une ouverture dans le mur réfractaire pour le raccordement du conduit. Vous noterez que l'ouverture doit être effectuée à la bonne hauteur, si vous souhaitez utiliser, par exemple, une couche de protection. L'ouverture doit être légèrement plus large que le conduit de raccordement. L'espace autour du conduit doit mesurer 10 mm. Nous vous conseillons d'arrondir les bords intérieurs de l'ouverture du conduit afin de vous assurer que les gaz de combustion peuvent circuler librement dans le conduit. Des accessoires supplémentaires visent à faciliter l'installation (▷3.4.).

**M1, M2, M3/SL, 20 Pro/SL, 20 ES Pro/S, 20 Boiler/SL, Classic 140/220/280, Premium/VS, 20 RS/LS Pro, Linear 16/22/28, Linear 22 RS/LS/ES, 16/22: Raccordement du poêle à un conduit maçonné via l'ouverture de raccordement arrière (figure 9)**

1. Pliez la trappe vers le bas (modèles : M1/M2/M3, Classic 140/220/280, Premium/Premium VS, Linear 16, 16). Assurez-vous que le conduit tient fermement en place.
2. Mettez le poêle en place. Ne poussez pas le conduit de fumée de raccordement trop loin dans le conduit. Raccourcissez le conduit si nécessaire.
3. Étanchéifiez le raccordement entre le conduit de fumée de raccordement et l'ouverture du mur réfractaire, par exemple à l'aide de laine minérale ignifuge. Assurez-vous que le raccordement du conduit est bien étanche. Ajoutez davantage de laine minérale ignifuge si nécessaire.



**Figure 9. Connecting the stove to a masonry flue via the rear connection opening (all dimensions in millimeters)**  
**Figure 9. Raccordement du poêle à un conduit maçonné via l'ouverture de raccordement arrière (toutes les dimensions sont fournies en millimètres)**

### Connecting the stove to a masonry flue via the upper connection opening (figure 10)

You will need an angled smoke pipe (45° or 90°) for the upper connection (▷3.4.).

1. Open the cover hatch of the rear connection opening (M1/M2/M3, Classic 140/220/280, Premium/Premium VS, Linear 16, 16 only). Bend the holder with a screwdriver.
2. Move the blocking plug from the upper connection opening on the rear connection opening.
3. Bend the holder with a screwdriver. Turn the cover hatch back up and lock it in its position with a screw (M1/M2/M3, Classic 140/220/280, Premium/Premium VS, Linear 16, 16 only).
4. Attach the flue connection pipe to the upper connection opening. Ensure that the pipe fits tightly in place.
5. Push the stove in place. Do not block the flue by pushing the flue connection pipe too far into the flue. If necessary, shorten the pipe.
6. Seal the flue connection pipe to the opening in the fireproof wall, for example, by using fireproof mineral wool. Make sure that the flue connection is tightly sealed. Add more fireproof mineral wool if necessary.

### Raccordement du poêle à un conduit maçonné via l'ouverture de raccordement supérieure (figure 10)

Le raccordement via l'ouverture supérieure requiert un conduit de fumée coudé (à 45° ou 90°) (▷3.4.).

1. Ouvrez la trappe de l'ouverture de raccordement arrière (modèles : M1/M2/M3, Classic 140/220/280, Premium/Premium VS, Linear 16, 16). Courbez le support à l'aide d'un tournevis.
2. Déplacez le bouchon de l'ouverture supérieure vers l'ouverture arrière.
3. Courbez le support à l'aide d'un tournevis. Tournez la trappe vers le haut et maintenez-la en position à l'aide d'une vis (modèles : M1/M2/M3, Classic 140/220/280, Premium/Premium VS, Linear 16, 16).
4. Fixez le conduit de fumée à l'ouverture de raccordement arrière, côté creux vers l'avant. Assurez-vous que le conduit tient fermement en place.
5. Mettez le poêle en place. Ne poussez pas le conduit de fumée de raccordement trop loin dans le conduit. Raccourcissez le conduit si nécessaire.
6. Étanchéifiez le raccordement entre le conduit de fumée de raccordement et l'ouverture du mur réfractaire, par exemple à l'aide de laine minérale ignifuge. Assurez-vous que le raccordement du conduit est bien étanche. Ajoutez davantage de laine minérale ignifuge si nécessaire.

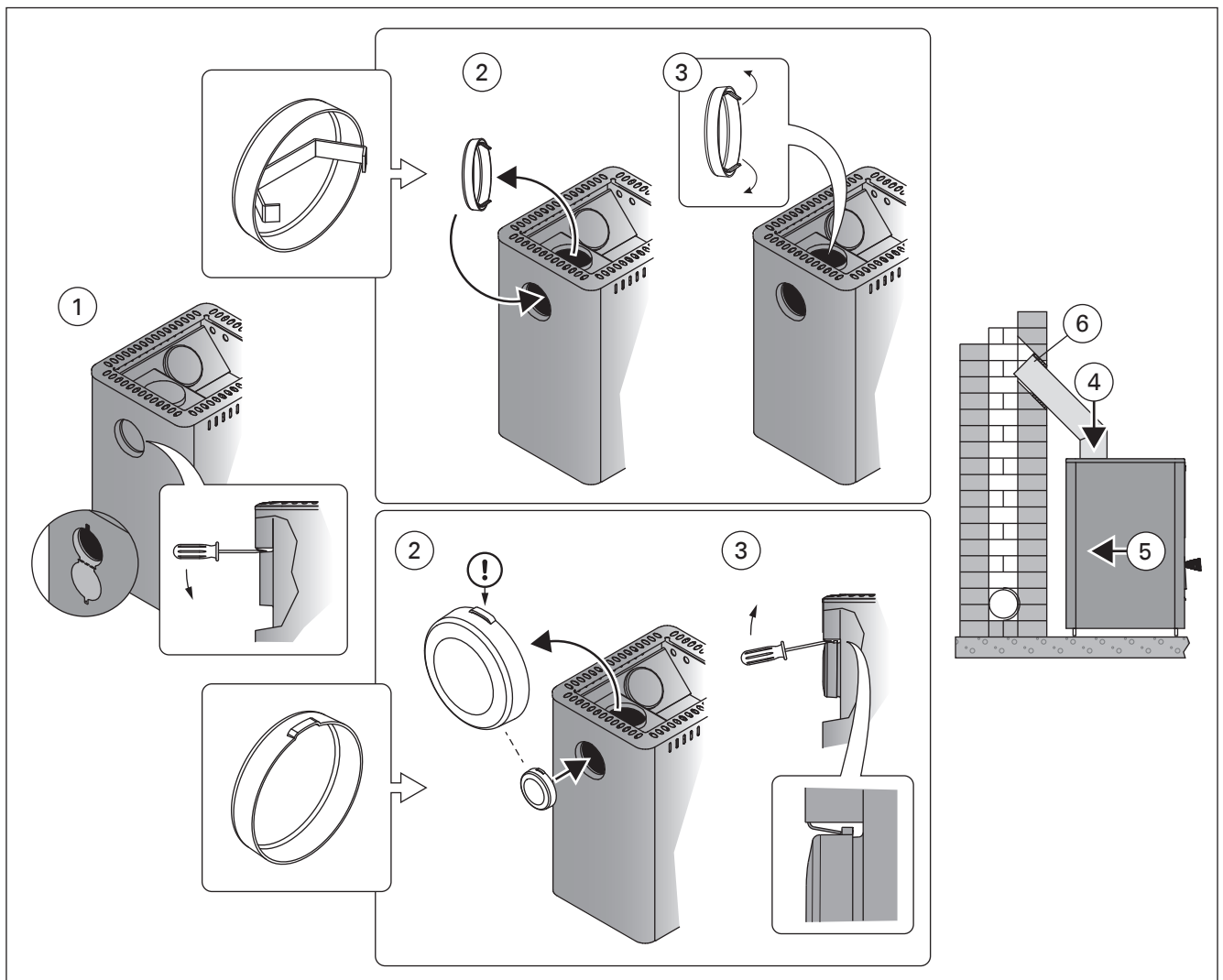



Figure 10. Connecting the stove to a masonry flue via the upper connection opening (all dimensions in millimeters)  
 Figure 10. Raccordement du poêle à un conduit maçonné via l'ouverture de raccordement supérieure (toutes les dimensions sont fournies en millimètres)



**3.2.3. Connecting the Stove to a Harvia Steel Chimney**  
A CE-marked Harvia steel chimney can be used to remove combustion gases. Its smoke pipes are made of stainless steel and the chimney has been insulated for fire safety. The chimney has a round cross section. The smoke pipe diameter is 115 mm, and the outer casing is 220 mm. See figure 11.


1. Open the cover hatch of the rear connection opening (M1/M2/M3, Classic 140/220/280, Premium/Premium VS, Linear 16, 16 only). Bend the holder with a screwdriver.
2. Move the blocking plug from the upper connection opening on the rear connection opening.
3. Bend the holder with a screwdriver. Turn the cover hatch back up and lock it in its position with a screw (M1/M2/M3, Classic 140/220/280, Premium/Premium VS, Linear 16, only).
4. Connect the steel chimney's smoke pipe to the upper connection opening of the stove. Ensure that the smoke pipe fits tightly in place. See the detailed instructions in the steel chimney's installation instructions!

 **If a protective cover is used around the stove, the insulation of the chimney must start from the same level as the top surface of the protective cover or underneath it.**

**3.2.3. Raccordement du poêle à une cheminée en acier Harvia**

Une cheminée en acier Harvia étiquetée CE peut être utilisée pour évacuer les gaz de combustion. Ses conduits de fumée sont en acier inoxydable et la cheminée est isolée conformément aux normes de sécurité anti-incendie. La cheminée est de section ronde. Le diamètre du conduit de fumée est de 115 mm et celui de son enveloppe mesure 220 mm. Voir figure 11.

1. Ouvrez la trappe de l'ouverture de raccordement arrière (modèles : M1/M2/M3, Classic 140/220/280, Premium/Premium VS, Linear 16, 16). Courbez le support à l'aide d'un tournevis.
2. Déplacez le bouchon de l'ouverture supérieure vers l'ouverture arrière.
3. Courbez le support à l'aide d'un tournevis. Tournez la trappe vers le haut et maintenez-la en position à l'aide d'une vis (modèles : M1/M2/M3, Classic 140/220/280, Premium/Premium VS, Linear 16,).
4. Raccordez le conduit de fumée de la cheminée en acier à l'ouverture de raccordement supérieure du poêle. Assurez-vous que le conduit de fumée tient fermement en place. Pour obtenir les instructions détaillées, consultez les instructions d'installation de la cheminée en acier !

 **Si vous utilisez une plaque de protection autour du poêle, l'isolation de la cheminée doit démarrer au même niveau que la surface supérieure de la plaque, ou en dessous.**

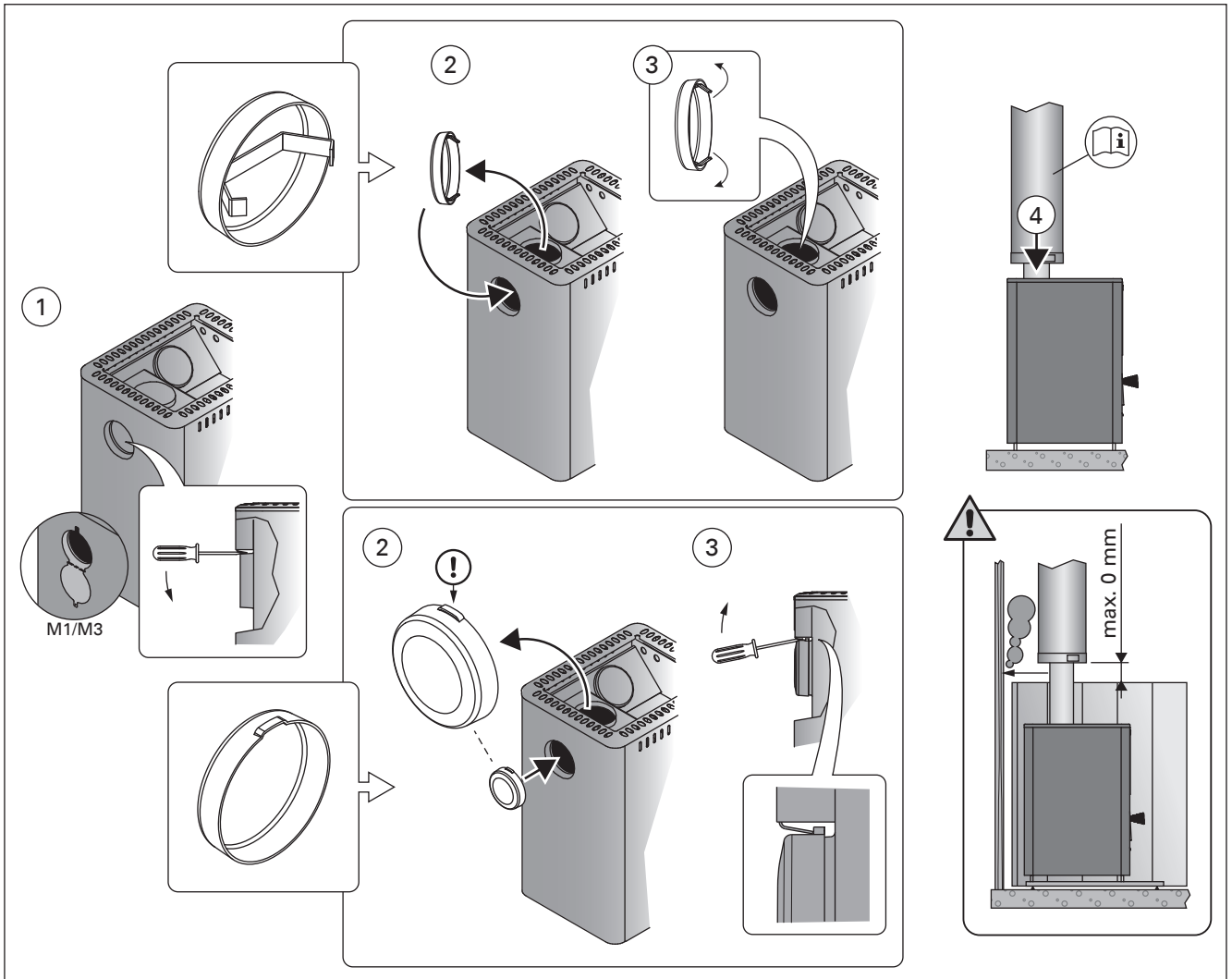


Figure 11. Connecting the stove to a Harvia steel chimney (all dimensions in millimeters)

Figure 11. Raccordement du poêle à une cheminée en acier Harvia (toutes les dimensions sont fournies en millimètres)

### 3.3. Changing the Opening Direction of the Stove Door

The door to the firing chamber can be installed to open either to the right or to the left. See figure 12.

### 3.3. Modification du sens d'ouverture de la porte du foyer

La porte du foyer peut être installée de manière à s'ouvrir vers la gauche ou vers la droite. Voir fig. 12.

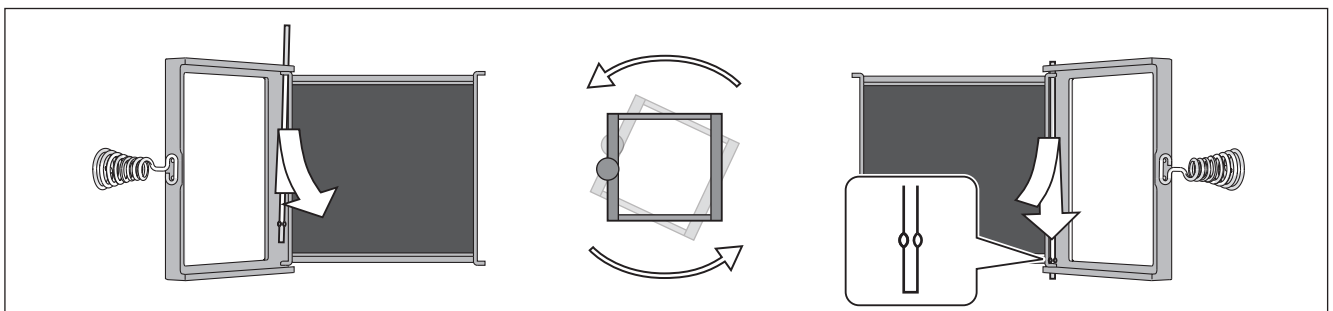


Figure 12. Changing the opening direction of the stove door

Figure 12. Modification du sens d'ouverture de la porte du foyer

### 3.4. Accessories

- A. Harvia steel chimney WHP1500.** ▷3.2.3.
- B. Water heater VL22I.** Installed on the top of the upper connection opening. When a protective sheath or other protection is used that is not large enough to protect the inflammable materials around the stove from the heat radiation of the pipe between the water heater and smoke flue, you must install a radiation cover around the pipe.
- C. Radiation cover WZ020130.** Installed around the smoke pipe.
- D. Harvia protective sheath WX017.** See figure 8.
- E. Harvia protective sheath WL400–WL775.** See figure 8.
- F. Harvia protective bedding WX018, WL100.** (not for models 20 RS/LS Pro, 36, 36 Duo, Premium VS, Linear 22 RS/LS).
- G. Harvia protective bedding WL110** (not for models 20 ES Pro/S, Linear 22 ES).
- H. Angle smoke pipe.** Different models.
- I. Lead-through flange for smoke pipe WZ020115.** Covers the edges of the flue opening and the sealing in the wall. Made of stainless steel. Consists of two parts to make it useable with differently inclined smoke pipes.
- J. Masonry connector WZ011115.** Connected to the flue opening, does not require other seals. The inner side already has a seal.

### 3.4. Accessoires

- A. Cheminée en acier Harvia WHP1500.** ▷3.2.3.
- B. Chauffe-eau VL22I :** installé au sommet de l'ouverture de raccordement supérieure. Si une gaine de protection ou toute autre protection utilisée n'est pas suffisamment grande pour protéger les matériaux inflammables situés autour du poêle et du rayonnement de chaleur du conduit situé entre le chauffe-eau et le conduit de fumée, vous devez installer une protection contre le rayonnement autour du conduit.
- C. Protection contre le rayonnement WZ020130.** Installée autour du conduit de fumée.
- D. Gaine de protection Harvia WX017.** Voir le figure 8.
- E. Gaine de protection Harvia WL400–WL775.** Voir le figure 8.
- F. Couche de protection Harvia WX018, WL100.** (ne pas pour modèles 20 RS/LS Pro, 36, 36 Duo, Premium VS, Linear 22 RS/LS).
- G. Couche de protection Harvia WL110** (ne pas pour modèles 20 ES Pro/S, Linear 22 ES).
- H. Conduit de fumée coudé :** différents modèles.
- I. Colerette pour conduit de fumée WZ020115 :** couvre les bords de l'orifice du conduit et le scellement dans la paroi. En acier inoxydable, elle se compose de deux éléments pour pouvoir être utilisée avec des conduits de fumée inclinés différemment.
- J. Raccord pour maçonnerie WZ011115 :** raccordé à l'ouverture du conduit, ne requiert pas d'autre joint. Le côté intérieur est déjà doté d'un joint.

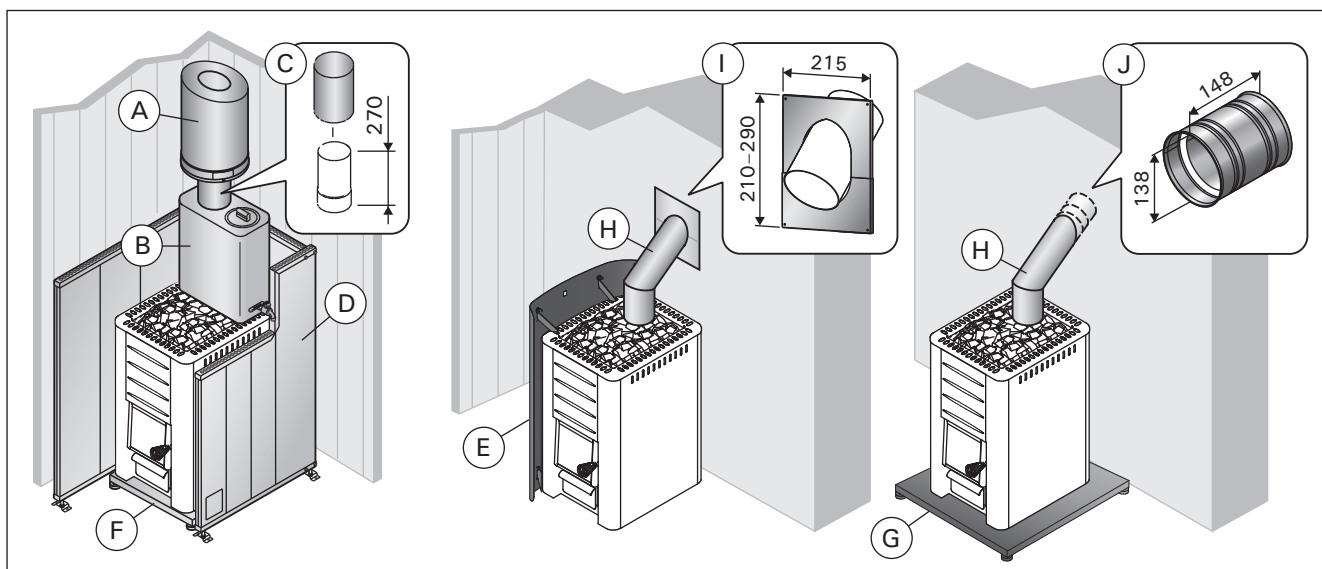


Figure 13. Accessories (all dimensions in millimeters)

Figure 13. Accessoires (toutes les dimensions sont fournies en millimètres)

**WHP1500, WHP1500M**

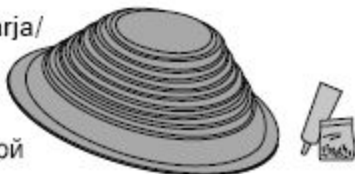
Vakiotoimitus/Standardleverans/Standard delivery/Standard-Lieferumfang/Стандартная комплектация/  
Standardvarustus

**WX139, WX139M**

Sadehattu/Regnhatt/Rain cap/Regenhaube/Оголовок/ Vihmakaitse

**WHM22, WHM23**

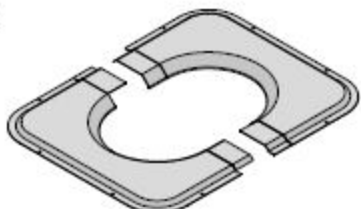
Sadekaulus ja kiinnityssarja/ Regnkrage/Rain flange with installation set/ Regenkragen und Befestigungsset/Дождевой фланец с установочным комплектом/Vihmakrae paigalduskomplektiga

**ZSH-200, ZSHP-712**

Läpivientieriste ja -suojus/ Genomföringstätning och skydd/ Lead-through insulation and protector/ Durchgangsisolierung mit Schutzmantel/ Проходная изоляция и защита/ Läbiviigu isolatsioon ja ohutuskrae

**ZSHP-711, ZSHP-711M**

Läpivientikaulus/ Genomföringskrage/ Lead-through flange/ Durchgangskragen/ Проходной фланец/ Läbiviikäärük



Teräspiippu/ Stålskorsten/ Steel Chimney/ Edelstahlsschornstein/ Дымоход стальной/ Teraskorsten

Pituus/Längd/ Length/Länge/ длина/Pikkus: 1,5 m/m

Paino/Vikt/Weight/ Gewicht/Bec/Kaal: 10,5 kg/кг WHP1500 11,4 kg/кг WHP1500M



WHP1500 Savuputki/ Rökrör/ Smoke pipe/ Ofenrohr/ Дымовая труба/ Suitsutoru

Pituus/Längd/ Length/Länge/ длина/Pikkus: 1,0 m/m



WHP1500M Savuputki/ Rökrör/ Smoke pipe/ Ofenrohr/ Дымовая труба/ Suitsutoru

Pituus/Längd/ Length/Länge/ длина/Pikkus: 1,0 m/m



ZSHP-650 Kiristyspanta/ Åtdragningsband/ Clamp/ Klemmschelle/ Хомут/ Klamber



S/N: 

--	--	--	--	--	--	--	--

Copy the stove's serial number from the carton and attach the manual to the house documentation.

Copiez le numéro de série du poêle figurant sur le carton et rangez le manuel avec la documentation de la maison.



P.O.Box 12  
Teollisuustie 1-7  
40951 Muurame  
FINLAND  
+358 207 464 000  
harvia@harvia.fi



Адрес уполномоченного лица:  
ООО «Харвия Рус»  
196006, Россия. Санкт-Петербург г,  
пр-кт Лиговский, д. 266, стр.  
1, помещ. 2.1-Н.50 | ОГРН 1157847200818  
телефон: +78123258294 | E-mail: spb@accountor.ru  
Адрес производства:  
188810, Российская Федерация,  
Ленинградская обл., г. Выборг, Пекарный пер., 2-б